

Contents

4 Ch. , BNC Termination Box, Model 75142

8 Ch. , BNC Termination Box, Model 75044

11/12 Ch. , Switch/BNC Termination Box, Model 74946

22/24 Ch., Switch/BNC Termination Box, Model 748.....48

4 Ch. , BNC Termination Box, Model 751

Main Characteristics

- 4 differential channels
- Polycarbonate IP66/67 Box (NEMA 1, 4, 4X,6)
- Compatible with all 2 wires sensor
- Isolated BNC output
- Spring cage terminal block input
- PCB grounding plate connected to din rail

Description



Model 751.01-04-02(LH)-1

The VibraSens BNC termination box collect data for permanently installed vibration sensors. Pigtails (signal, common and shield) sensor cables are attached to spring cage terminal block. Data collection equipment with the sensor excitation power are mounted to BNC jack connectors. BNC interface unit do not supply sensor excitation. Vibrasens offer a large choice of enclosure (polycarbonate, polyester, AISI 316L stainless steel, ..) to be sure it will perfectly fit your application.

Typical applications

BNC termination box is installed in a convenient centralized location away from noisy or unsafe environment where portable collector can record the sensor reading. Simply connect a data collector with sensor excitation power to the BNC jack of the sensor channel of interest to access that sensor’s measurement signal

Box introduction

Enclosures offer protection against the possible splashing of oil, water or corrosive substances encountered in severe industrial environments, such as off-shore or petrochemical application. These splash-proof enclosure are used for the mechanical and environmental protection of our BNC interface unit

Polycarbonate Box

Polycarbonate enclosures offer the following benefits :

- Better impact resistance than polyester.
- Better corrosion resistance than painted steel or stainless steel.
- Isolation of the electronic circuit preventing earth loop problems.
- standard industrial environment

Polyester Box

Polyester enclosures offer the following benefits :

- Better chemical resistance than polycarbonate
- Isolation of the electronic circuit preventing earth loop problems.
- recommended for petrochemical application

Stainless steel Box

Stainless steel enclosures offer the following benefits :

- Better impact resistance than polyester or polycarbonate
- Good chemical resistance
- recommended for pulp and paper application

Ordering information

To order, specify model number :

751.01 - AA - BB (Suffix) - C 4 CH., BNC termination box

AA : Channels

04 : 4 Channels

BB : Box

02 : Polycarbonate enclosure

Suffix : LH = Left Hinge, TH = Top Hinge, RH = Right Hinge

32 : Polyester

42 : Polyester, Atex approved

62 : Stainless steel (AISI316L)

99 : To be defined by customer

C : Stuffing glands

0 : Not installed

1 : installed (indicate diameter and number of cables)

Special engraving

Add Zxx at the end of the part number.

XX is a number supplied by VibraSens.

Popular model (in stock) : 751.01-04-02(LH)-1

Ordering example

751.01 - 04 - 02 (LH) - 1 4 CH., BNC termination box,
4 cables dia 5.5 mm

SPECIFICATIONS

BNC Module

See datasheet for model 301

Physical

Weight gr (oz)

BB=02 300

Environmental

Temperature :

Operating continuous..... -40 to +85 °C

Enclosure BB=02

Dimensions & Weight

LxWxH mm (inch)..... 130x80x60 (5.1x3.1x2.3) see fig 1

Weight gr (Oz)180 (6.4)

Materials

Material..... Polycarbonate

Base and cover color..... RAL 7035

Cover screw (color)..... Polyamide (Grey)

Gasket material TPE Polyurethane

Environmental

Temperature :

Operating continuous -40 to +80 °C (-40 to 175 °F)
 Short term -40 to +120°C (-40 to 250 °F)
 Chemical resistance ... Good resistance to sea water, acids, solvents, gasolines and oil
 Outdoor use Yes

Ratings

Ingress Protection (EN 60529)..... IP 66/67
 Nema Class 1, 4, 4X, 6 (12 & 13)
 Impact Resistance (EN 50102) IK 08
 Electrical insulaion fully insulated
 Halogen free (DIN/VDE 0472, part 815) Yes
 UV resistance UL 508
 Flammability rating (UL 746 C 5) UL 94 5V
 Glow wire test (IEC 695-2-1) 960°C

Certificates

Germanischer Lloyd (GL), Underwriters Laboratories, Det Norske Veritas, Fimko,
 Europe EN 50298 1998 / EN 60950, Gost R

Accessories, spare parts

Screw for cover 711.96
 Hinge (2 pieces & Screws) 711.91
 Mounting foot kit without opening the enclosure 711.94

Drawings

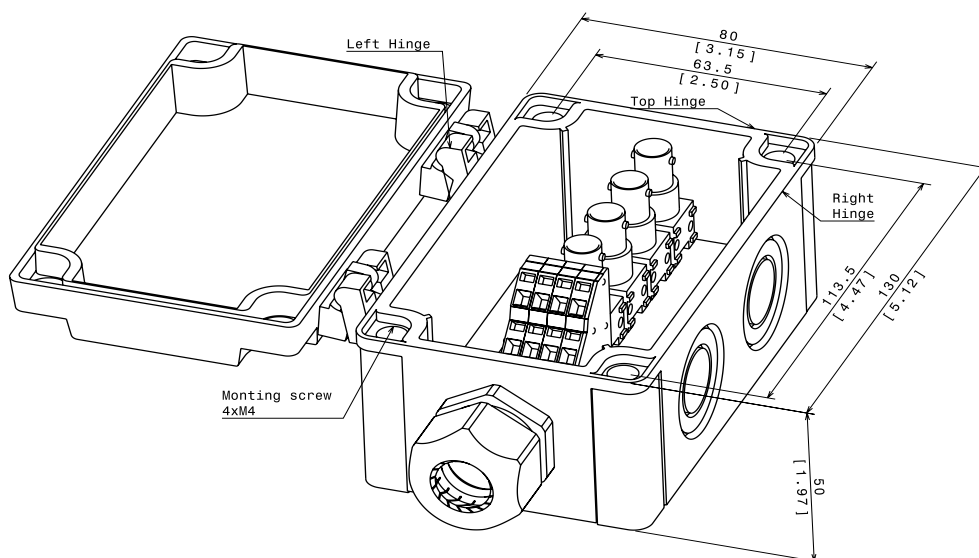


Fig 1 : Outline drawing, model 751.01-XX-02 (LH)